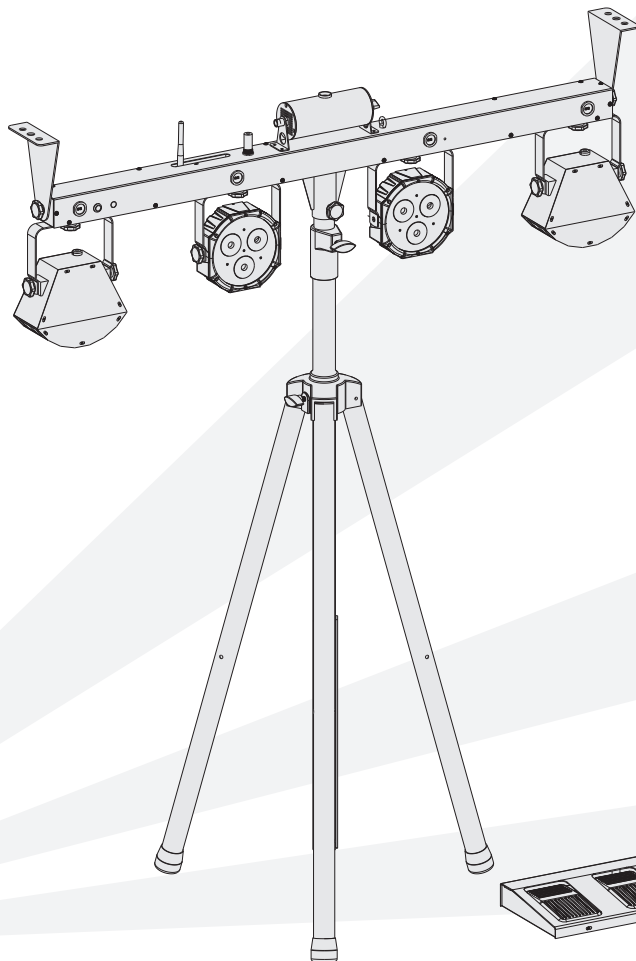


scandLIGHT

T-BAR Lightset EFX

USER MANUAL



Version 1.0

Art nr: 943545



Unpacking Instructions

Read Manual before Operation

Dear user,
Thanks for choosing **Scandlight T-BAR Lightset EFX** believing this brand new product will bring you unlimited marvel and happiness. Before operating this device, please read this manual thoroughly, and retain it for future reference.

Warning Data

Please note the warnings in bold which will ensure the safe and smooth operation. These warnings are important to a certain extent.



Attention! Indicates a skill or other useful information for special situations.



Important! Indicates important information to protect personnel from laser incident or injury.



Caution! Prevent damage or injury from incorrect operation.



Laser! Laser safety warning labels.

Warning!

If the external flexible cable or cord of this luminaire is damaged, it shall be replaced by a special cord or cord exclusively available from the manufacturer or his service agent. Shields, lenses or ultraviolet screens shall be changed if they have become visibly damaged to such an extent that their effectiveness is impaired, for example by cracks or deep scratches.

The lamps shall be changed if it has become damaged or thermally deformed.

Unpacking Instructions

As receiving a fixture, carefully unpacking the carton, checking contents to ensure that all parts are in good condition. Informing the shipper immediately and retaining packing material for inspection if any parts damaged from shipping or device damaged. Keeping packing materials as evidence for shipper's confirmation.



Attention!

This unit is in perfect condition before delivery, please check all accessories when unpacking the unit. User should follow this user manual to operate this unit, and make sure that you are clear on all laser safety information and unit operation before power it on. Any wrong operation will make this unit out of warranty.

Carefully moving after receiving it, checking whether there is any damage from shipping, and all the accessories in it.

NAME	QTY
Laser Light +LED system	1 set
Power Cord	1 pcs
KEYS (for key switch)	2 pcs
Interlock switch	1 pcs
User manual	1 pcs
Stand	1 pcs
Wireless Footswitch	1 pcs
Packing Case	1 set

Safety Instructions

Safety Instructions



To protect the environment, please try to recycle the packing material as much as possible.



The projector is for indoor use only, IP20. Use only in dry locations. Keep this device away from rain and moisture, excessive heat, humidity and dust. Do not allow contact with water or any other fluids, or metallic objects.



Don't throw this product away just as general trash, please deal with the product follow the abandon electronic product regulation in your country.

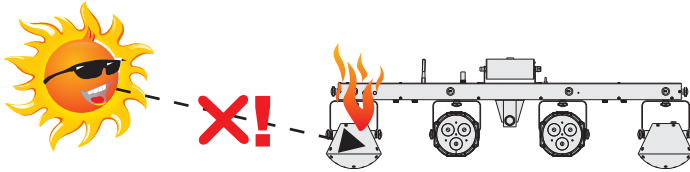


Locate the fixture in a well ventilated spot, away from any flammable materials and/or liquids. The fixture must be fixed at least 20cm from surrounding walls.

- ◆ To avoid condensation to be formed inside, allow this unit to adapt to the surrounding temperatures when bringing it into a warm room after transport. Condense sometimes prevents the unit from working at full performance or may even cause damages.
- ◆ Don't cover any ventilation openings as this may result in overheating.
- ◆ Don't install it on flammable object.
- ◆ Don not use it when maximum ambient temperature is higher than 40 degree.
- ◆ Unplug the unit when it is not used for a longer time or before replacing the bulb.
- ◆ Don't open the top cover to avoid unit damage.
- ◆ Please use the original packing when the device is to be transported.



Never expose the lens to direct sunlight, even for a short period, this may damage the light effect or even cause fire!



Safety Warnings

- ◆ According to EN 60825-1:2007, this product belongs to class 3R. Direct eye contact may cause injury.
- ◆ This product is for laser show only. The class 3R laser light should be operated by professional operator only.
- ◆ This is so-called show laser, emitting radiation with a wavelength spectrum between 400 and 700nm and producing lighting effects for shows.
- ◆ International laser safety regulations require that the vertical height from installment to ground is more than 3 meters; horizontal distance is 2.5 meters from audience.
- ◆ Never direct the laser beam to people or animals and never leave this device running unattended.
- ◆ The legal requirements for using laser entertainment products vary from country to country. The user is responsible for the legal requirements at the location/country of use.



LASER RADIATION
AVOID EXPOSURE TO DIRECT OR SCATTERED RADIATION FROM CLASS III LASER PRODUCT



DO NOT USE DELAYED RADIATION ONLY
AVOID EXPOSURE TO DIRECT OR SCATTERED RADIATION



Warning!Avoid direct eye contact with laser beams during operation, especially when the laser beams stay still, or injury to eyes may occur.



Laser Safety Protection Feature



Warning!The laser security measures are designed according to the specific terms of the relevant international laser safety standards and has the following laser safety protection means.

- ◆ Laser key switch: laser is available only when the key is turned on.
- ◆ Laser interlock switch: Interlock button, any incident happen, light will be closed by interlock.
- ◆ Laser safety labels: The labels of according with European standard are stuck on the device body.

Overhead Rigging & Product Installation

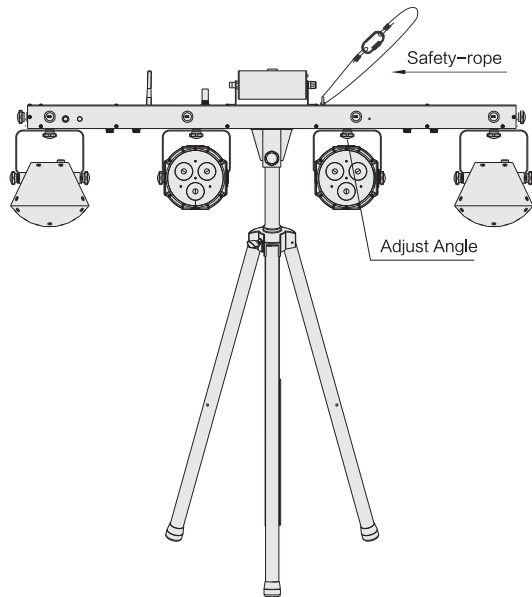


Attention! The installation must be carried out by qualified service personal only. Improper installation can result in serious injuries and /or damage to property. Overhead rigging required extensive experience! Working load limits should be respected, Certified installation materials should be used, the installed device should be inspected regularly for safety.

- ◆ Make sure the area below the installation place is free from unwanted persons during rigging, de-rigging and servicing.
- ◆ Locate the fixture in a well ventilated spot, far away from any flammable materials and/or liquids. The fixture must be fixed at least 50cm from surrounding walls
- ◆ The device should be installed out of reach of people and outside areas where persons may walk by or be seated.
- ◆ The device should be well fixed; a free swinging mounting is dangerous and may not be considered!
- ◆ Do not cover any ventilation opening as this may result in overheating
- ◆ Before the first time use, it must be inspected by professional staff to make sure safety, inspection regularly every year.

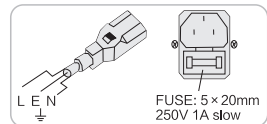


Before rigging make sure that installation area can hold the 10 times weight of device. Using the steel rope which can hold 12 times weight of device, through the eye-bolt for assisting hang installment.



AC Power

Please use the attached power, note that power voltage and frequency are the same as the marked voltage and frequency of device when connecting power. Every device's power should be connected separately, so that device can be controlled individually.



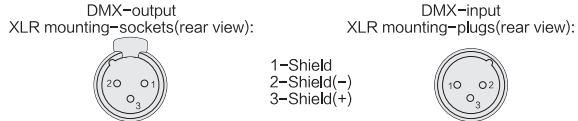
Cable spec. :

Cable(EU)	Cable(US)	Pin	International
Brown	Black	Live	L
Light blue	White	Neutral	N
Yellow/Green	Yellow/Green	Earth	⊕

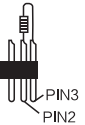
Product Installation

DMX-512 connection

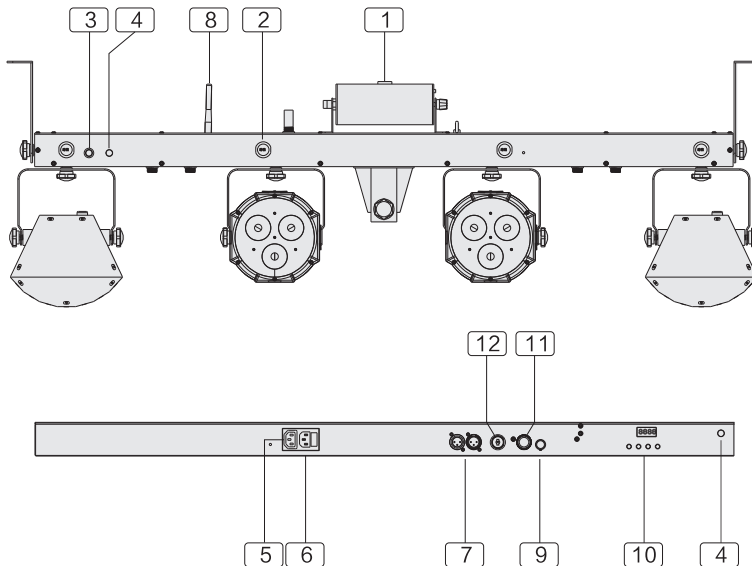
- ◆ Connection between laser lights and DMX must use the shield cable of diameter more than 0.5mm. Please use the attached 3 pin XLR plug/socket to connect the DMX output/input interface. The connection between socket and cable as below(note the plug/socket' s 3 pin number and position).



- ◆ Note, XLR plug/socket' s 3pin can not be touched by inner hull, connection between pins is not allowed. Except above connection, XLR plug/socket can not be connected with XLR control line. Device receives international standard DMX512(1990) control signal.
- ◆ When using standard DMX512 control signal, the last device' s output interface must be connected to a DMX plug. This plug is putting a 120 ohm resistance between "canon" plug' s 2 pin and 3 pin. Showing as below pic. Sticking this plug into the last device' s signal output interface, it will avoid the interference during the process of signal transmission.



Operation instructions



NO	FUNCTION	DESCRIPTION
1	Laser aperture	Laser show, do not look directly into the hole
2	LED strobe lights	4*1W white LED strobe light
3	Microphones	Receiving the audio signal through a microphone, and positive response to the intensity by the potentiometer
4	IR sensor	Receiving the IR control signal through the sensor
5	Power connection	Power output connect with next light
6	Power input	Power input socket, built-in protective tube and spare tube
7	DMX input/output	3PIN male/female XLR interface, for DMX communication
8	Wireless antenna	Receiving the signal of the wireless footswitch
9	Potentiometer	To adjust the sound activated sensitivity
10	LCD control interface	Various mode setting operations of the machine
11	Remote switch	Used to connect the remote button for emergent blackout
12	Key switch	Turn on/off the light. Only authorized people use.

Menu operating instruction



Once after every power on laser, the VERSION and MANUFACTURE INFORMATION will be shown in LED monitor of rear panel. When laser is powered on, LED monitor on rear panel shows the current operating standalone mode or DMX address of DMX mode. With help of LED control panel, is very easy to set and change the operating mode of laser. After every resetting and saved, the new mode information will be shown on LED monitor at next power.

MENU Model choice , return to the previous menu.

ENTER Go into the deeper menu.

UP For higher numeric value operation.

DOWN For lower numeric value operation.

LED display		Functional description
Aut	AutP → AP01–AP18	APAR light auto mode
	AutL → AL01–AL06	Laser light auto mode
	AutF → AF01–AF10	Flash light auto mode
	AutM → AM01–AM03	Mix auto mode
	S.01–S.99	Effect speed adjustment. 01 is the slowest, 99 is the fastest
	M.00–M.99	Motor speed adjustment. 00: motor stops. 99 is the fastest
Sou	SutP → SP01–SP18	PAR light sound mode
	SutL → SL01–SL06	Laser light sound mode
	SutF → SF01–SF10	Flash light sound mode
	SutM → SM01–SM03	Mix sound mode
COL	COLO	Color manual adjustment
	R/G/BXXX	LED color setting
	S.00–S.99	Flash light speed adjustment. S.00: all on; S.99 is the fastest
DMX	d001	Signal reception mode (the worlds will strobe if there' s no signal)
	03/05/09/27CH	DMX channel selecting
	dXXX	Channel address setting
SLA	SLAV	Slave mode
SYS	AddS	Machine position setting: *234; 1*34; 12*4; 123*
	LEDS	LED display power-saving mode.
	TEST	Testing mode: (1) functional testing mode: auto/sound program, testing for 30s; when there' s sound, running sound program; when no sound, running auto mode; to check if the LED chips are OK. And the IR remote control testing, press ON/OFF, blackout operation, to check if the IR remote control is OK. (2) Aging testing: all the LED chips, motor work at the max. power, LED display shows 8.8.8.8.
	REST	Restore the factory initial setup
	W-En	Wireless pedal working mode



Note: In sound model, device will close light in 5 seconds automatically, if there isn' t any sound signal. Light on until sound signal received.

Menu operating instruction

Initial Setting

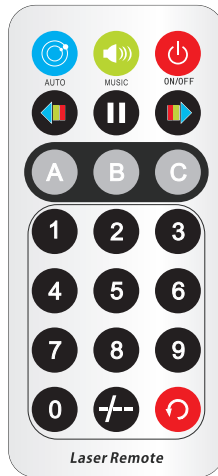
MENU	UP	DOWN	ENTER	UP	DOWN	ENTER
Built-in auto programs	AP01-AP18 PAR light auto show AL01-AL06 laser light auto show AF01-AF10 flash light auto show AM01-AM03 Mix auto show		ENTER into the next step. To choose the effect speed through the UP/DOWN button.	S.01-S.99; Effect speed adjustment. 01 is the slowest, 99 is the fastest	M.00-M.99; Motor speed adjustment. 00: motor stops, 99 is the fastest	ENTER: confirm and back to the previous step.
Built-in sound programs	AP01-AP18 PAR light auto show AL01-AL06 laser light auto show AF01-AF10 flash light auto show AM01-AM03 Mix auto show		Enter to confirm. To adjust the sound sensitivity through the potentiometer.			
COLO color setting	R000-R255 G000-G255 B000-B255		ENTER into the next step. MENU to the previous step.	S.00-S.99; strobe speed S.00: all on, S.99: the fastest	ENTER: confirm and back to the previous step.	
DMX mode	03CH/05CH/09CH/27CH		Selecting the channel	d001-dXXX	Setting the address	
SLAVE mode	When selecting the SLAVE mode, this machine will follow the master's built-in program through the DMX cable.		ENTER: confirm and back to the previous step.			
System setting	Lighting position setting; *234; 1*34; 12*4; 123*		ENTER to confirm			
	LED display power-saving mode		ENTER into the next step	On: turn on the nixie tube power-saving mode OFF: turn off the nixie tube power-saving mode	ENTER: confirm and back to the previous step.	
	TEST: texting mode		ENTER to the testing mode			
	REST: restore the factory initial setup		ENTER to restart the machine			
	W-En: wireless pedal working mode		ENTER into the next step	On: turn on the wireless footswitch working mode OFF: turn off the wireless footswitch working mode	ENTER: confirm and back to the previous step.	



NOTES:

- (1) S.01-S.99: program speed adjusting; S.01: the slowest, S.99: the fastest
- (2) A point will be shown on the screen if there's no operation in 30s.
- (3) Machine address bit instruction, face to the LED screen, from left to right, the address is 1-2-3-4.
- (4) The nixie tube will twinkle when there's no signal input to SLAVE,D001.

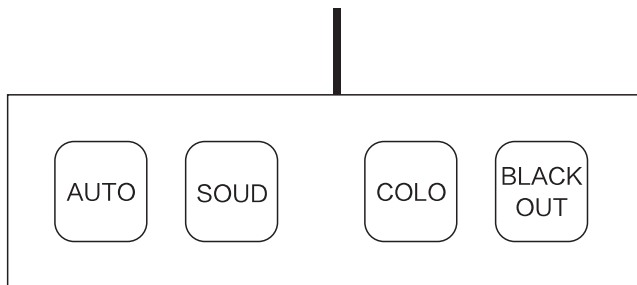
Remote Control Operation Instruction



Button	Function	Functional Description
	ON/OFF	Power on/off. When power is on, press it to light on; press again to light off; circle as it.
	Mix auto mode	Per click for different sets of Mix auto show (AM01-AM03)
	Mix sound mode	Per click for different sets of Mix sound show(SM01-SM03)
	PAR light auto mode	Per click for different sets of PAR light show(AP01-AP18)
	Laser light auto mode	Per click for different sets of Laser light show(AL01-AL06)
	Flash light auto show	Per click for different sets of flash light show(AF01-AF10)
	Auto/sound switching	Switching between auto mode and sound mode under A B C pattern
	Pause	Program or color change will be paused, no matter under auto mode or sound mode.
	Color changing	Selecting the color of PAR light
	Numeric keys	Adjusting the speed of auto program

Footswitch Operation Instruction

Footswitch Operation Instruction



Function	Functional Description
AUTO	Press AUTO to activate the auto program controls. When working, all the lights will begin in auto mode.
SOUD	Press SOUND to activate the sound program controls. When working, all the lights will begin in sound mode.
COLO	Static color changes.
BLACKOUT	Light off.



NOTE: All the operations from the footswitch is invalid to the DMX mode and the SLAVE mode.
The color control of the footswitch only works for auto/sound mode.

Product Parameter

- ◆ Power: 45W
- ◆ PAR LED: 6*Tri-9W
- ◆ Beam angle: 15°
- ◆ Derby LED: 2*R-3W, 2*G-3W, 2*B-3W
- ◆ LED: R-620nm/100lm, G-520nm/160lm, B-462nm/50lm
- ◆ Laser : G-30mW/532nm, R-100mW/650nm
- ◆ Strobe LED: W-4*1W
- ◆ DMX channels: 3, 5, 9, 27CH
- ◆ Spare parts: T-Bar, stand, carrying bag, wireless footswitch, IR remote control, standing foot
- ◆ Power linking: 30pcs@240V, 14pcs@110V
- ◆ AC power: switching power supply, 100V-240V 50/60Hz (for all international markets)
- ◆ Fuse : T 1.6A, 250V
- ◆ Stand : 1.5m—2.5m (adjustable)
- ◆ weight: 6.6kg

DMX operation instructions

DMX Channels Chart



This device adopts large storage and high speed chip, which has been written lots of effect based on laser light DMX application. There are many kinds of model in channel one.

3CH

Channel	Value	Description	
CH1	000-009	Blackout	
	010-031	Auto Par	
	032-065	Auto Laser	
	066-095	Auto Flash LED	
	096-127	Auto MIX	
	128-159	Sound Par	
	160-191	Sound Laser	
	192-223	Sound Flash LED	
	224-255	Sound MIX	
CH2	Auto Par	000-009	AP01
		010-019	AP02
		020-029	AP03
		030-039	AP04
		040-049	AP05
		050-059	AP06
		060-069	AP07
		070-079	AP08
		080-089	AP09
		090-099	AP10
		100-109	AP11
		110-119	AP12
		120-129	AP13
		130-139	AP14
		140-149	AP15
		150-159	AP16
		160-169	AP17
		170-255	AP18
	Auto Laser	000-039	AL01
		040-079	AL02
		080-119	AL03
		120-139	AL04
		140-159	AL05
		160-255	AL06

DMX operation instructions

3CH

Channel	Value	Description
CH2	Auto Flash LED	000-014 AF01
		015-029 AF02
		030-044 AF03
		045-059 AF04
		060-074 AF05
		075-089 AF06
		090-104 AF07
		105-119 AF08
		120-134 AF09
		135-255 AF10
	Auto MIX	000-019 AM01
		020-039 AM02
		040-255 AM03
	Sound Par	000-009 SP01
		010-019 SP02
		020-029 SP03
		030-039 SP04
		040-049 SP05
		050-059 SP06
		060-069 SP07
		070-079 SP08
		080-089 SP09
		090-099 SP10
		100-109 SP11
		110-119 SP12
		120-129 SP13
		130-139 SP14
		140-149 SP15
		150-159 SP16
		160-169 SP17
		170-255 SP18
	Sound Laser	000-039 SL01
		040-079 SL02
		080-119 SL03
		120-139 SL04
		140-159 SL05
		160-255 SL06

DMX operation instructions

3CH

Channel	Function	Value	Description
CH2	Sound Flash LED	000-014	SF01
		015-029	SF02
		030-044	SF03
		045-059	SF04
		060-074	SF05
		075-089	SF06
		090-104	SF07
		105-119	SF08
		120-134	SF09
		135-255	SF10
	Sound MIX	000-019	SM01
		020-039	SM02
		040-255	SM03
CH3 (work for CH1 value 10-127)	Changing speed	0-255	Program speed adjusting. Slow to fast, 0 is the slowest, 255 is the fastest.

5CH

Channel	Function	Value	Description
CH1	PAR light & derby light	000-255	Brightness of the Red light
CH2		000-255	Brightness of the Green light
CH3		000-255	Brightness of the Blue light
CH4		000-191	Brightness of all lights
		192-200	Sound strobe
		201-249	Strobe speed (slow to fast, the fastest 30HZ)
CH5 LED motor rotating speed		250-255	All on
		000-004	STOP
		005-127	Rotate Clockwise, slow to fast
		128-133	STOP
		134-255	Rotate Anticlockwise, slow to fast

9CH

Channel	Function	Value	Description
CH1	PAR light & derby light	000-255	Brightness of Red light
CH2		000-255	Brightness of Green light
CH3		000-255	Brightness of Blue light
CH4		000-191	Brightness of all lights
		192-200	Sound strobe

DMX operation instructions

9CH

Channel	Function	Value	Description
CH4		201-249	Strobe speed (slow to fast, the fastest 30HZ)
		250-255	All on
CH5 LED motor rotating speed	PAR light & derby light	000-004	STOP
		005-127	Rotate Clockwise, slow to fast
		128-133	STOP
		134-255	Rotate Anticlockwise, slow to fast
CH6 Red Laser Light		000-004	Blackout
		005-009	All on
		010-255	Strobe, slow to fast
CH7 Green Laser Light	Laser light	000-004	Blackout
		005-009	All on
		010-255	Strobe, slow to fast
CH8 Laser Motor		000-004	STOP
		005-127	Rotate Clockwise, slow to fast
		128-133	STOP
		134-255	Rotate Anticlockwise, slow to fast
CH9 4 pcs Flash Light		000-004	Blackout
		005-009	All on
		010-255	Strobe, slow to fast

27CH

Channel	Function	Value	Description
CH1	Derby Light (NO.1)	000-255	Red light dimmer 0%- 100%
CH2		000-255	Green light dimmer 0%- 100%
CH3		000-255	Blue light dimmer 0%- 100%
CH4		000-009	No function
	010-255	Strobe speed (slow to fast, the fastest 30HZ)	
	CH5	000-004	STOP
		005-127	Rotate Clockwise, slow to fast
128-133		STOP	
CH6	PAR Light (NO.2)	134-255	Rotate Anticlockwise, slow to fast
		000-255	Red light dimmer 0%- 100%
		000-255	Green light dimmer 0%- 100%
CH7	PAR Light (NO.2)	000-255	Blue light dimmer 0%- 100%
CH8		000-009	No function
CH9		010-255	Strobe speed (slow to fast, the fastest 30HZ)
	CH10	000-255	Keep the channel
CH11	PAR Light (NO.3)	000-255	Red light dimmer 0%- 100%
CH12		000-255	Green light dimmer 0%- 100%

DMX operation instructions

27CH

Channel	Function	Value	Description	
CH13	PAR Light (NO.3)	000-255	Blue light dimmer 0%- 100%	
CH14		000-009	No function	
		010-255	Strobe speed (slow to fast, the fastest 30HZ)	
		000-255	Keep the channel	
CH15		000-255	Keep the channel	
CH16		000-255	Red light dimmer 0%- 100%	
CH17		000-255	Green light dimmer 0%- 100%	
CH18		000-255	Blue light dimmer 0%- 100%	
CH19		000-009	No function	
		010-255	Strobe speed (slow to fast, the fastest 30HZ)	
		000-004	STOP	
		005-127	Rotate Clockwise, slow to fast	
CH20		128-133	STOP	
		134-255	Rotate Anticlockwise, slow to fast	
		CH21	000-004	Blackout
005-009			All on	
010-255			Strobe, slow to fast	
CH22		Laser Light	000-004	Blackout
			005-009	All on
	010-255		Strobe, slow to fast	
CH23	000-004		STOP	
	005-127		Rotate Clockwise, slow to fast	
	128-133		STOP	
	134-255		Rotate Anticlockwise, slow to fast	
CH24 The 1st one	000-004		Blackout	
	005-009		All on	
	010-255		Strobe, slow to fast	
CH25 The 1st one	Flash Light		000-004	Blackout
			005-009	All on
			010-255	Strobe, slow to fast
CH26 The 1st one			000-004	Blackout
			005-009	All on
			010-255	Strobe, slow to fast
CH27 The 1st one			000-004	Blackout
			005-009	All on
			010-255	Strobe, slow to fast